

# SOUNDER CP400SR • SOUNDER/BEACON CP450SER

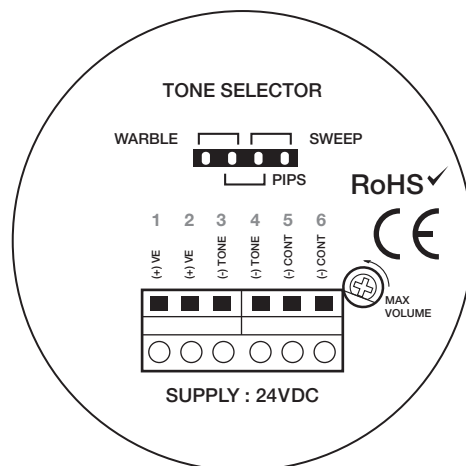
**4**  
TONES



CP450SER



CP400SR



For sweep, warble or pips, wire negative to terminal 3 and/or 4 (-) TONE.

For continuous tone wire negative to 5 and/or 6 (-) CONT  
Note that the (-) CONT tone will override the (-) TONE

## DESCRIPTION

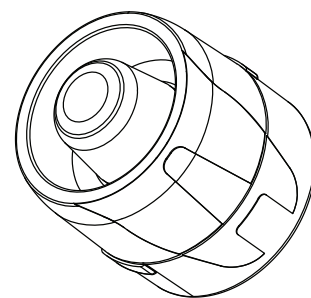
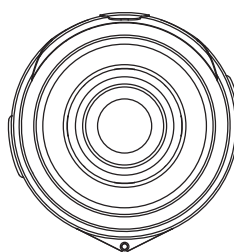
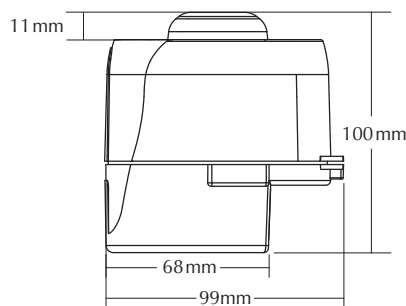
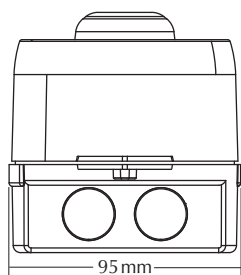
Context Plus Electronic Sounder **CP400SR** and Sounder/Beacon **CP450SER**'s compact design is acoustically very efficient, capable of generating high sound output (103 dBA) at low current levels (13mA at 24VDC). They also have a wide angle uniform sound distribution providing good audibility in all directions, thus making them ideal for fire, security and hazard warning.

**CP400SR** operates over a wide input voltage range of 8 to 28V DC while **CP450SER** in the range of 20 to 28V DC. Both models are optimised for use at 12V and 24V systems. These conventional wall mount devices are available in 4 tone versions with locally controllable output levels allowing the sound intensity to be adjusted to suit the application. If required, the use of a third wire enables a second stage alarm to be switched to override the selected tone. These versatile features allow both models to work seamlessly with most detection systems incorporating central control equipment.

Combining performance and functionality, Context Plus **CP400SR** and **CP450SER** are designed to fully comply with EN54 and meet protection rating of IP65.

## CP ADVANTAGES

- Available in ABS or polycarbonate.\*
- Polycarbonate Fresnel lens.\*\*
- Automatic sounder synchronization.
- Automatic sounder synchronization.
- High sound output, low current consumption.
- 4 On-board selectable tones.
- Adjustable volume control screw.
- High reliability and stable performance.
- High brightness LED.
- Fully EN54 compliance.
- Excellent value/price ratio.



## SPECIFICATIONS

	CP400SR (Sounder)		CP450SER (Sounder/Beacon)	
	Lowest	Highest	Lowest	Highest
Output @ 1 metre 24VDC	68 dB	100 dB	68 dB	95 dB
Current @ 24VDC:	6 mA	13 mA	13 mA	22 mA
Voltage Range	9 to 28VDC		20 to 28VDC	
Operating Frequency	800Hz to 1000Hz			
Number of Tones	4			
Volume Control	Adjustment Screw			
Operating Temperatures	-20°C to +70°C			
Size (H x W x D)	100 X 95 X 99mm			
Protection Classification	IP65			
Approximate Weight	160g		182g	

\* Please specify when polycarbonate body and base are required. Prices vary from ABS plastic.

\*\* Applies to Sounder/Beacon **CP450SER** only. Comes standard with ABS plastic base.

Specifications are subject to change without prior notice.



**Context Plus Limited**

175, Mauldeth Road,  
Manchester, M14 6SG,  
United Kingdom

Tel: +44 (0)161 257 2541

Fax: +44 (0) 161 225 8817

Email: contextplus@xportsales.com